

ZIF MODULE ZIF5030-DI Z-Wave



Installation- and user manual

Contents

1. Product description.	3
2. Installation guidelines.	3
Preparing and Connecting Wires	3
Connections.	4
2.1. Inputs.	5
2.2. Relay Outputs.	5
2.3. 24V DC Output.	5
3. Behaviour within the Z-Wave Network	7
4. Factory Reset	7
5. Association groups.	8
6. Configuration parameters.	12
7. Command Classes.	15
8. Technical Specifications.	16

1. Product description.

ZIF5030 Z-Wave DIN rail module, is a module that clips right onto a DIN rail to add a variety of functions to you wireless Z-Wave network.

ZIF5030 is equipped with 10 relay outputs and 4 digital inputs, and a Z-Wave radio for interfacing to the wireless Z-Wave network. The module can be power supplied from a 230V AC mains connection, and is able to deliver an output supply of 24V DC.

ZIF5030 relay outputs are able to be freely controlled from the Z-Wave network, and can be used for several purposes, e.g. on/off control of light, control of valve actuators for an underfloor heating system, or control of other home automation systems.

ZIF5030 digital inputs can be configured to work with different functionality and can be connected to potential free contacts, open-collector outputs, and will be able to control other Z-Wave devices; switches, dimmers, etc. Furthermore, the inputs can be used as a Scene Controller and send Central Scene notifications to the Z-Wave Gateway.

It is possible to configure the level- and the indication of the status indicator LED in the front of the ZIF5030 module.

2. Installation guidelines.

ATTENTION: only authorized technicians under consideration of the country-specific installation guidelines/norms may do works with 230 Volt mains power. Prior to the assembly of the product, the voltage network has to be switched off and ensured against re-switching.

Use the following procedure to install ZIF5030:

1. Use a flat object (such as a flat-head screwdriver) to pull the DIN rail release tab downward.
2. Place the top of the ZIF5030 rail mount over the top of the DIN rail.
3. Tilt the bottom of the ZIF5030 toward the DIN rail until it snaps into place.

NOTE: When mounting DIN rail products, use a flat-head screwdriver to pull the DIN rail release tab while snapping the device onto the DIN rail.

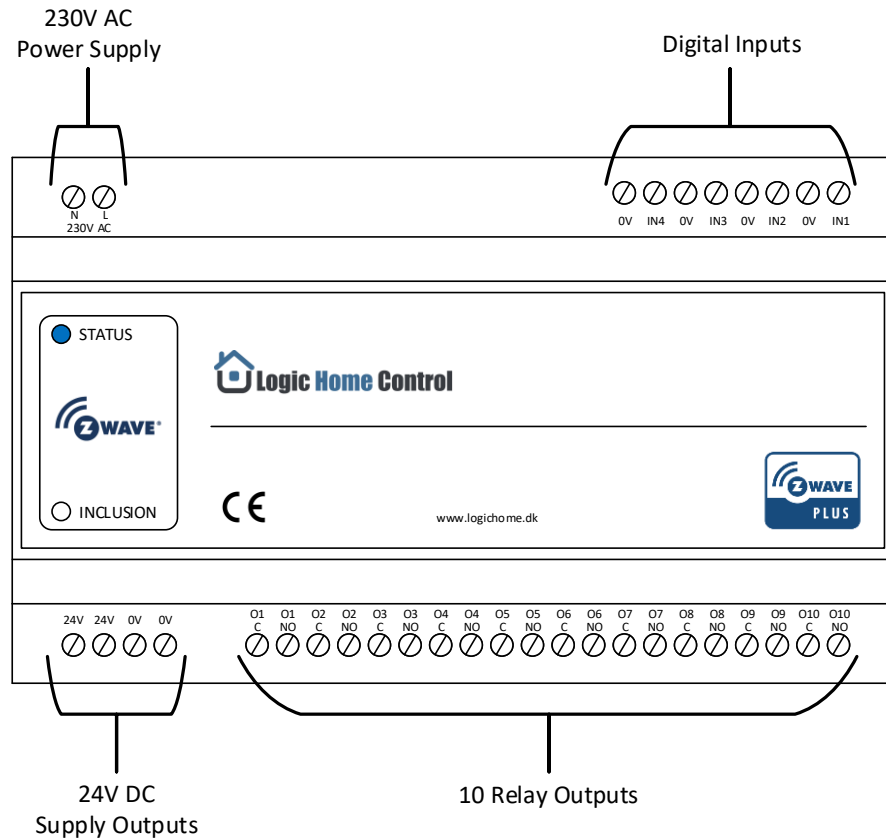
Make any necessary connections to the device, and apply power after all connections have been made.

Preparing and Connecting Wires

When making connections, strip the ends of the wires approximately 6 mm. Use care to avoid nicking the conductors. Tighten the connector to 0.5 Nm. The wire gauge should be 12 to 30 AWG.

Connections.

In the drawing below is the different module connections shown.



230V AC Power Supply.

Terminals for connecting the 230V AC mains power supply. The module has an internal fuse that can be replaced by opening the cover of the module, please see Technical Specification section for which type of fuses that can be used.

Digital Inputs.

Terminals for the 4 digital inputs.

24V DC Supply Outputs.

Terminals for the 24V DC power supply output that can be used to be switched through the relay outputs.

Relay Outputs.

Terminals for the 10 relay outputs, with 2 screw terminals for each output, a Common and Normally Open terminal.

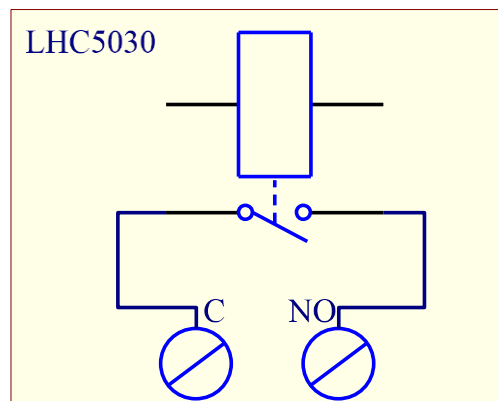
2.1. Inputs.

The inputs can be used for controlling other Z-Wave devices by means of transmitting different command class messages. See the association groups for the input devices.

The trigger level of the digital input can be configured to either be level-, positive edge- or negative edge triggered.

2.2. Relay Outputs.

ZIF5030 relay outputs are Normally-Open relay contact outputs, that can be used to switch the supply voltage to different kind of loads, see the technical specification for types of supported loads.

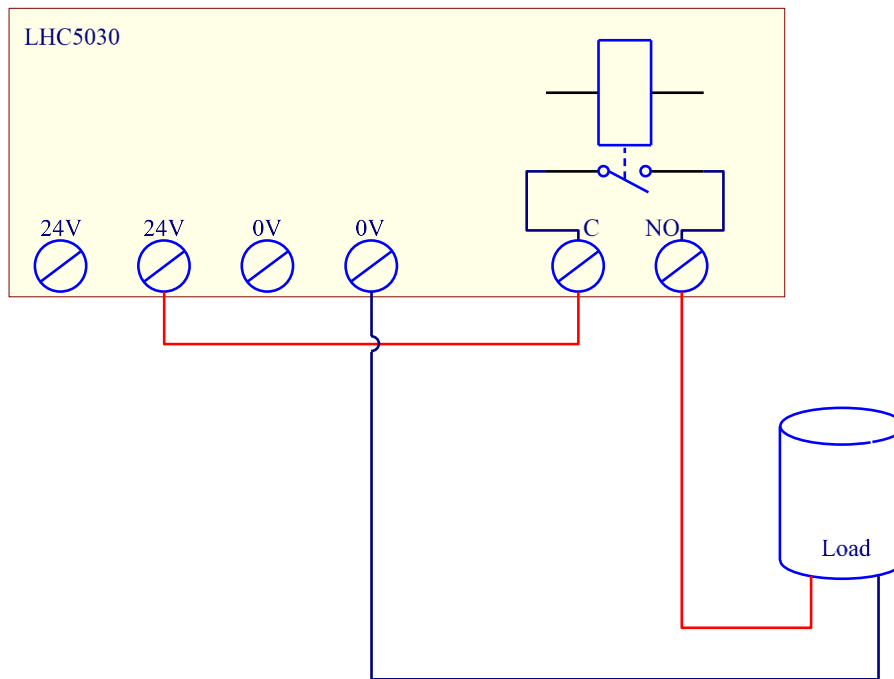


Above schematic outlines how the relay outputs are implemented internally.

2.3. 24V DC Output.

ZIF5030 is supplied with a 24V DC output that can be used for supplying power to the loads that can be connected to relay outputs. The supply can, for example be used for powering 24V valve actuators.

See the section with technical specifications for the performance of the 24V power supply.



Above schematic outlines an example of how the 24V supply output, together with a relay output, can be used to control a load.

3. Behaviour within the Z-Wave Network

This product can be operated in any Z-Wave network with other Z-Wave certified devices from other manufacturers. All non-battery operated nodes within the network will act as repeaters regardless of vendor to increase reliability of the network.

On delivery, the device does not belong to any Z-Wave network. The device needs to be added to an existing wireless network to communicate with the devices of this network. Devices can also be removed from a network. Both add and remove process are initiated by the primary controller of the Z-Wave network. This controller will be turned into a mode for adding or removing devices. Please refer to your primary controller's manual on how to turn your controller into add or remove mode. Only if the primary controller is in add or remove mode, this device can be added or removed from the network. When the device is removed from the network, it will set the device back to factory default.

If the device already belongs to a network, follow the remove process before adding it in your network. Otherwise, the adding of this device will fail. Place your primary controller in Adding Mode by following the manufacturer's instructions, then activate the add mode on the device by clicking the small button through the little hole, marked with the text "INCLUSION", in front of the ZIF5030 module. The Adding Mode is indicated by ZIF5030 status LED is blinking until a timeout occurs after 10 seconds or if the module has been added to the Z-Wave network.

The device is removed in the same manner, when the controller is put into Removing Mode.

4. Factory Reset

ZIF5030 can be factory reset by pressing the small button through the little hole, marked with the text "INCLUSION", in front of the ZIF5030 module for at least 10 seconds.

NOTE: Only use this procedure when the primary network controller is missing or is otherwise inoperable.
--

5. Association groups.

From a Controller's point of view, ZIF5030 will consists of a root device and 14 endpoint devices - if the Controller is supporting Multichannel devices, otherwise is only the root device seen by the Controller (endpoint 0).

The devices are:

- Root device; an intersection of all the devices (endpoint 0).
- 10 switch devices to control each of the relay outputs (endpoint 1 – 10).
- 4 switch devices representing the digital inputs (endpoint 11 – 14).

Below is an overview of all the devices and the association groups for each device.

The first number in the association group number indicates the group number for actual device, and the second number is the group number on the root device (endpoint 0).

Device 1 (endpoint 1)	Relay output 1
Group 1 / 1	<i>Lifeline.</i> Sends Device Reset notifications, Central Scene notifications and Basic Report On / Off when relay output 1 is activated. Max. nodes in the group: 5
Device 2 (endpoint 2)	Relay output 2
Group 1 / -	<i>Lifeline.</i> Sends Basic Report On / Off when relay output 2 is activated. Max. nodes in the group: 5
Device 3 (endpoint 3)	Relay output 3
Group 1 / -	<i>Lifeline.</i> Sends Basic Report On / Off when relay output 3 is activated. Max. nodes in the group: 5
Device 4 (endpoint 4)	Relay output 4
Group 1 / -	<i>Lifeline.</i> Sends Basic Report On / Off when relay output 4 is activated. Max. nodes in the group: 5
Device 5 (endpoint 5)	Relay output 5
Group 1 / -	<i>Lifeline.</i> Sends Basic Report On / Off when relay output 5 is activated. Max. nodes in the group: 5

Device 6 (endpoint 6)	Relay output 6
Group 1 / -	<i>Lifeline.</i> Sends Basic Report On / Off when relay output 6 is activated. Max. nodes in the group: 5
Device 7 (endpoint 7)	Relay output 7
Group 1 / -	<i>Lifeline.</i> Sends Basic Report On / Off when relay output 7 is activated. Max. nodes in the group: 5
Device 8 (endpoint 8)	Relay output 8
Group 1 / -	<i>Lifeline.</i> Sends Basic Report On / Off when relay output 8 is activated. Max. nodes in the group: 5
Device 9 (endpoint 9)	Relay output 9
Group 1 / -	<i>Lifeline.</i> Sends Basic Report On / Off when relay output 9 is activated. Max. nodes in the group: 5
Device 10 (endpoint 10)	Relay output 10
Group 1 / -	<i>Lifeline.</i> Sends Basic Report On / Off when relay output 10 is activated. Max. nodes in the group: 5
Device 11 (endpoint 11)	Digital input 1
Group 1 / -	<i>Lifeline.</i> Sends Basic Report On / Off when input 1 is activated. Max. nodes in the group: 5
Group 2 / 2	Sends Basic Set On / Off when input 1 is activated. Can be used for controlling other Z-Wave devices, e.g. relay modules. Max. nodes in the group: 5
Group 3 / 3	Sends Switch Binary Set On / Off when input 1 is activated. Can be used for controlling other Z-Wave devices, e.g. relay modules. Max. nodes in the group: 5
Group 4 / 4	Sends Multilevel Switch Set / Multilevel Switch Start Level Change / Multilevel Switch Stop Level Change when input 1 is activated. Is typically used for controlling light dimmers, curtain controllers, etc. Max. nodes in the group: 5

Device 12 (endpoint 12)**Digital input 2**

Group 1 / -

*Lifeline.*Sends **Basic Report On / Off** when input 2 is activated.

Max. nodes in the group: 5

Group 2 / 5

Sends **Basic Set On / Off** when input 2 is activated.

Can be used for controlling other Z-Wave devices, e.g. relay modules.

Max. nodes in the group: 5

Group 3 / 6

Sends **Switch Binary Set On / Off** when input 2 is activated.

Can be used for controlling other Z-Wave devices, e.g. relay modules.

Max. nodes in the group: 5

Group 4 / 7

Sends **Multilevel Switch Set / Multilevel Switch Start Level Change / Multilevel Switch Stop Level Change** when input 2 is activated.

Is typically used for controlling light dimmers, curtain controllers, etc.

Max. nodes in the group: 5

Device 13 (endpoint 13)**Digital input 3**

Group 1 / -

*Lifeline.*Sends **Basic Report On / Off** when input 3 is activated.

Max. nodes in the group: 5

Group 2 / 8

Sends **Basic Set On / Off** when input 3 is activated.

Can be used for controlling other Z-Wave devices, e.g. relay modules.

Max. nodes in the group: 5

Group 3 / 9

Sends **Switch Binary Set On / Off** when input 3 is activated.

Can be used for controlling other Z-Wave devices, e.g. relay modules.

Max. nodes in the group: 5

Group 4 / 10

Sends **Multilevel Switch Set / Multilevel Switch Start Level Change / Multilevel Switch Stop Level Change** when input 3 is activated.

Is typically used for controlling light dimmers, curtain controllers, etc.

Max. nodes in the group: 5

Device 14 (endpoint 14)**Digital input 4**

Group 1 / -

*Lifeline.*Sends **Basic Report On / Off** when input 4 is activated.

Max. nodes in the group: 5

Group 2 / 11

Sends **Basic Set On / Off** when input 4 is activated.

Can be used for controlling other Z-Wave devices, e.g. relay modules.

Max. nodes in the group: 5

Group 3 / 12

Sends **Switch Binary Set On / Off** when input 4 is activated.

Can be used for controlling other Z-Wave devices, e.g. relay modules.

Max. nodes in the group: 5

Group 4 / 13

Sends **Multilevel Switch Set / Multilevel Switch Start Level Change / Multilevel Switch Stop Level Change** when input 4 is activated.

Is typically used for controlling light dimmers, curtain controllers, etc.

Max. nodes in the group: 5

6. Configuration parameters.

Z-Wave products are supposed to work out of the box after they are added to the Z-Wave network, however certain configuration of a device can alter the functionality to better serve the needs of the user's or unlock further enhanced features.

Parameter 1, Parameter size 1 byte. Status LED.

Configuration of the status LED.

Value Description

- 0 LED turned off.
- 1 LED turned on. (Default)
- 2 LED flashing at 1 second intervals ($\frac{1}{2}$ Hz).
- 3 LED flashing at $\frac{1}{2}$ second interval (1 Hz).

Parameter 2, Parameter size 1 byte. Status LED brightness level.

Configure the percentage of light in the status LED, when the LED is turned on

Value Description

- 0 - 100 Specifies the brightness level of the LED when it is on. Default is 50.

Parameter 3, Parameter size 1 byte. Loop voltage on input 1.

Can be used to turn off the loop voltage on input 1.

Value Description

- 0 Loop voltage turned off.
- 1 Loop voltage turned on. (Default)

Parameter 4, Parameter size 1 byte. Loop voltage on input 2.

Can be used to turn off the loop voltage on input 2.

Value Description

- 0 Loop voltage turned off.
- 1 Loop voltage turned on. (Default)

Parameter 5, Parameter size 1 byte. Loop voltage on input 3.

Can be used to turn off the loop voltage on input 3.

Value Description

- 0 Loop voltage turned off.
- 1 Loop voltage turned on. (Default)

Parameter 6, Parameter size 1 byte. Loop voltage on input 4.

Can be used to turn off the loop voltage on input 4.

Value Description

- 0 Loop voltage turned off.
- 1 Loop voltage turned on. (Default)

Parameter 7, Parameter size 1 byte. Input mode for input 1.

Configures the functionality of input 1.

Value Description

- 0 Input disabled.
- 1 Mode 1, Level controlled digital input. (Default)
- 2 Mode 2, trailing edge triggered digital input.
- 3 Mode 3, leading edge triggered digital input.

Parameter 8, Parameter size 1 byte. Input mode for input 2.

Configures the functionality of input 2.

Value Description

- 0 Input disabled.
- 1 Mode 1, Level controlled digital input. (Default)
- 2 Mode 2, trailing edge triggered digital input.
- 3 Mode 3, leading edge triggered digital input.

Parameter 9, Parameter size 1 byte. Input mode for input 3.

Configures the functionality of input 3.

Value Description

- 0 Input disabled.
- 1 Mode 1, Level controlled digital input. (Default)
- 2 Mode 2, trailing edge triggered digital input.
- 3 Mode 3, leading edge triggered digital input.

Parameter 10, Parameter size 1 byte. Input mode for input 4.

Configures the functionality of input 4.

Value Description

- 0 Input disabled.
- 1 Mode 1, Level controlled digital input. (Default)
- 2 Mode 2, trailing edge triggered digital input.
- 3 Mode 3, leading edge triggered digital input.

Parameter 11, Parameter size 1 byte. De-bounce timer for digital inputs.

Configures the timer that decides when an input is latched as a stable input (contact de-bounce filter).

Value Description

0 - 255 Resolution is in 10 milliseconds, 10 means 100ms. (Default is 5 = 50 milliseconds)

Parameter 12, Parameter size 1 byte. Button pressed timer for digital inputs.

Configures the time that a contact on an input has to be short-circuited in order to be detected as a button-press.

Value Description

0 – 255 Resolution is in 10 milliseconds, 10 means 100ms. (Default is 20 = 200 milliseconds)

Parameter 13, Parameter size 1 byte. Button held timer for digital inputs.

Configures the time that a contact on an input has to be short-circuited in order to be detected as button-held.

Value Description

0 - 255 Resolution is in 100 milliseconds, 10 means 1 second. (Default is 20 = 2 seconds)

Parameter 14, Parameter size 1 byte. Disable Central Scene notifications.

Disable Central Scene notifications are sent when the inputs are activated.

Value Description

0 Central Scene notifications is turned on. (Default)

1 Central Scene notifications is turned off.

7. Command Classes.

Supported Command Classes.

- Association (version 2)
- Association Group Information (version 1)
- Multi Channel Association (version 2)
- Version (version 2)
- Configuration (version 1)
- Manufacturer Specific (version 2)
- Z-Wave Plus Information (version 2)
- Device Reset Locally (version 1)
- Security (version 2)
- Powerlevel (version 1)
- Firmware Update (version 2)
- Multi Channel (version 4)
- Basic (version 2)

Controlled Command Classes

- Basic (version 2)
- Multilevel Switch (version 4)
- Central Scene (version 3)

8. Technical Specifications.

Power supply	100V-240V AC 50/60Hz
Fuse	3.15A Quick-Acting, UMF 250 Schurter Inc., part no.: 3405.0171.11
24V DC output	Maximum 1.17A, 28W
Relay outputs	Rated carry current: 5A Max. switching voltage: 250V AC, 30V DC Max. switching current: 5A Max. switching power: 1,250 VA, 150W
Inputs	Max. input voltage: 10V DC Input impedance: 10K Ohm Loop output voltage: 5V DC
Connection terminals	Solid wire: 30-12 AWG / 0.05-3.31 mm ² Stranded wire: 30-12 AWG / 0.05-3.31 mm ² Torque: 4 Lb. In / 0.5 Nm Wire stripe length: 6 mm Screw: M2.5
Power consumption	0.6 W standby
Radio protocol	Z-Wave®: EU 868.4MHz – 500 Series.
Approvals	CE EN 50491-3: 2009 EN 60669-2: 2004 Z-Wave Plus (pending)
Explorer Frame Support	Yes
SDK	6.71.00
Device Type	Slave with routing capabilities
Generic Device Class	Binary Switch.
Specific Device Class	Valve Open Close
Routing	Yes
FLiRS	No
Z-Wave Plus	Yes
Firmware Version	0.51